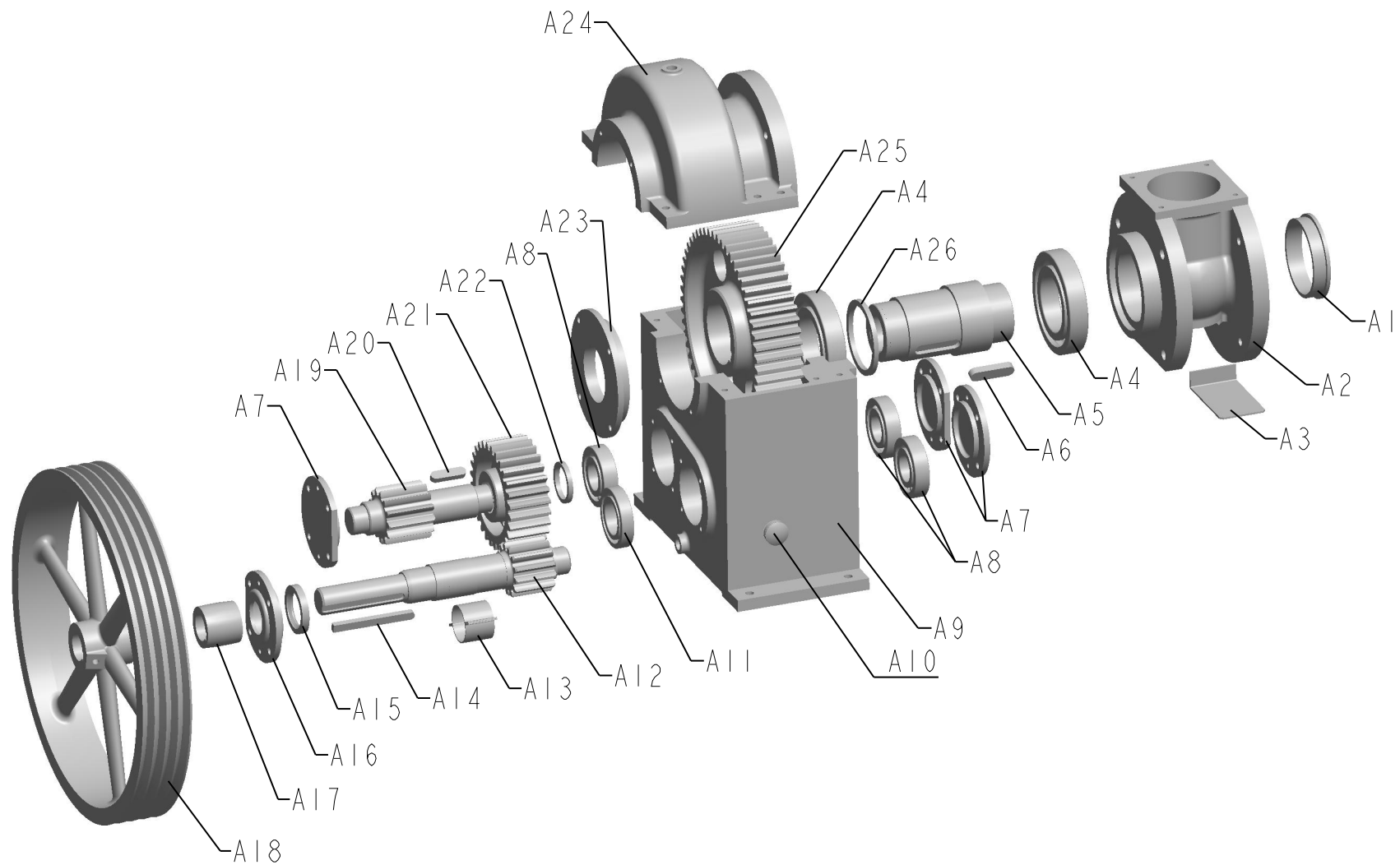


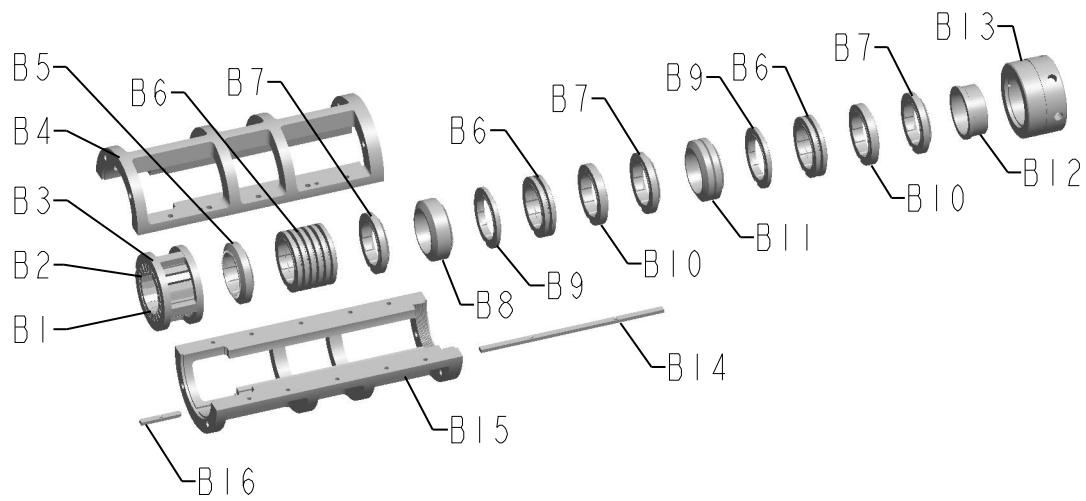
YZYX120-8结构图
Structure Diagram of YZYX120-8



图一 减速箱部件图

Fig.1 Structure Diagram of Gearbox

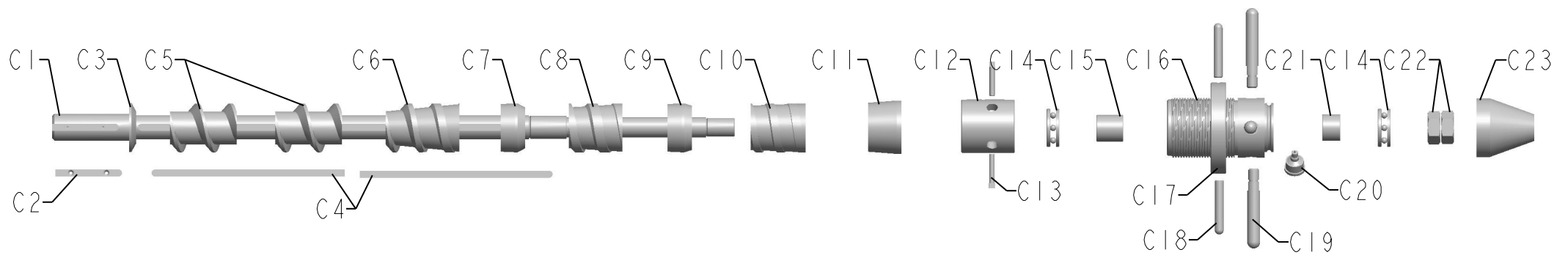
标号 Item	零件名称 Name	每台数量 Quantity	标号 Item	零件名称 Name	每台数量 Quantity	标号 Item	零件名称 Name	每台数量 Quantity
A1	齿箱套 Gearbox bushing	1	A10	油标A25 Oil scale A25	1	A19	短轴齿轮 Short shaft with gear	1
A2	进料三通 Feeding base	1	A11	轴承NJ211E Bearing NJ211E	1	A20	键16×60 Key 16×60	1
A3	插销板 Latch plate	1	A12	长轴齿轮 Long shaft with gear	1	A21	中齿轮 Medium gear	1
A4	轴承6219 Bearing 6219	2	A13	甩油板 Jilt oil board	1	A22	小衬圈 Small bushing	1
A5	空心轴 Hollow shaft	1	A14	键C14×140 Key C14×140	1	A23	219轴承通盖 Open bearing cover 219	1
A6	键20×78 Key 20×78	1	A15	J形油封55×80×12 J-oil seal 55×80×12	1	A24	减速箱盖 Gearbox cover	1
A7	309轴承通盖 Open bearing cover 309	3	A16	211轴承通盖 Open bearing cover 211	1	A25	大齿轮 Big gear	1
A8	轴承NJ309E Bearing NJ309E	3	A17	平带轮 Flat belt pulley	1	A26	大衬圈 Large ring	1
A9	减速箱体 Gearbox body	1	A18	大带轮 Big belt pulley	1			



标号 Item	零件名称 Name	每台数量 Quantity	标号 Item	零件名称 Name	每台数量 Quantity
B1	榨条 Squeeze bars	20	B9	6#榨圈 6# Squeeze loop	2
B2	垫片 Spacer	1	B10	3#榨圈 3# Squeeze loop	2
B3	榨条圈 The ring for setting up squeeze bars	1	B11	A5#榨圈 A5# Squeeze loop	1
B4	上榨笼 Top cage	1	B12	出饼圈 The loop for cakes out	1
B5	1#榨圈 1# Squeeze loop	1	B13	压紧螺栓 Pressing bolt	1
B6	2#榨圈 2# Squeeze loop	10	B14	平键 B16×520 Key B16×520	1
B7	4#榨圈 4# Squeeze loop	3	B15	下榨笼 Bottom cage	1
B8	5#榨圈 5# Squeeze loop	1	B16	平键 C16×115 Key C16×115	1

图二 榨膛部件图

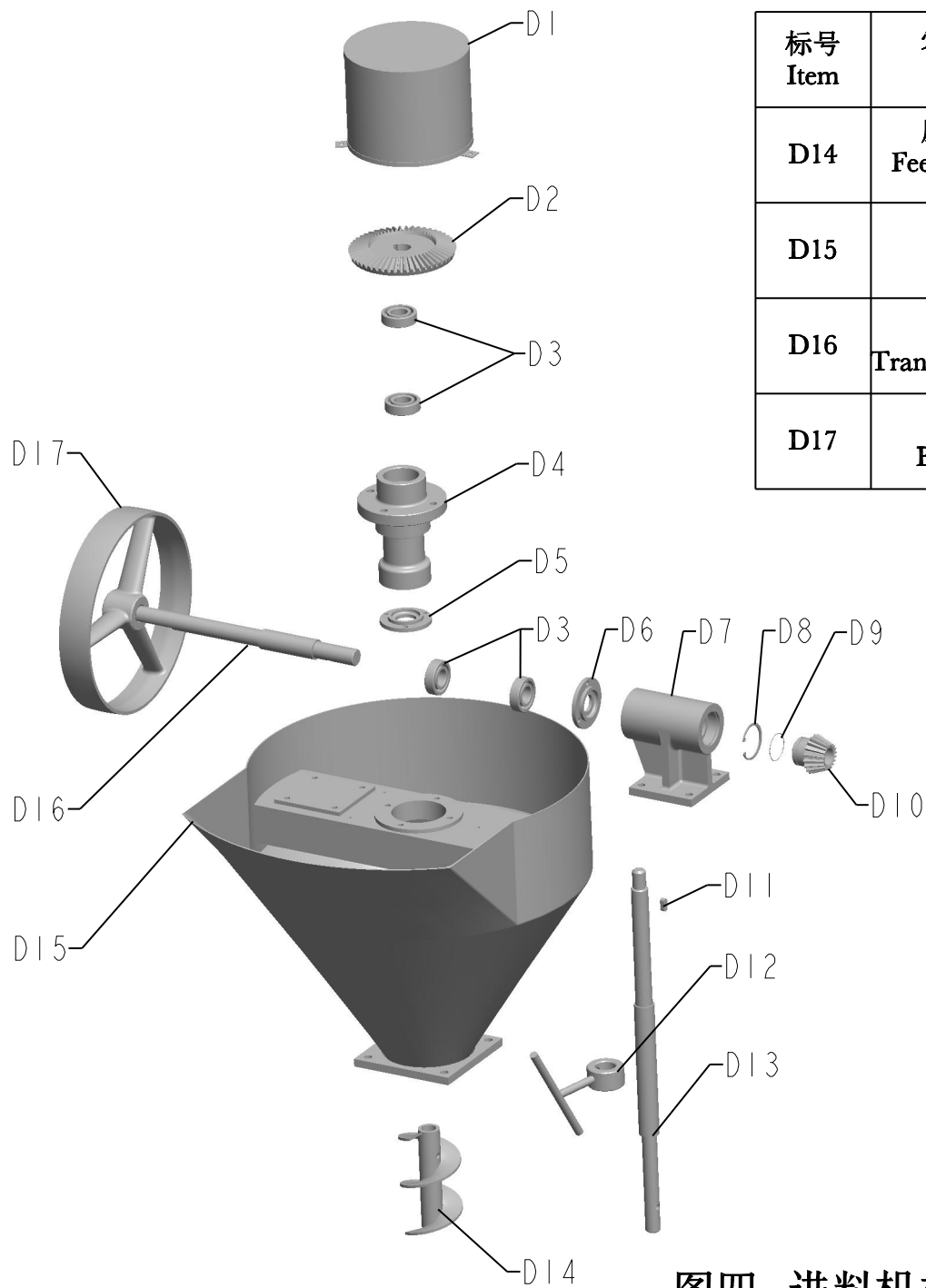
Fig.2 Structure Diagram of Squeeze Cage and Squeeze Loops



标号 Item	零件名称 Name	每台数量 Quantity	标号 Item	零件名称 Name	每台数量 Quantity	标号 Item	零件名称 Name	每台数量 Quantity
C1	总轴 Main shaft	1	C9	4#榨螺 \varnothing 100 4# squeeze spiral \varnothing 100	1	C17	夹紧圈 Tight nut	1
C2	平键 C16 \times 150 Key C16 \times 150	1	C10	6#榨螺 6# squeeze spiral	1	C18	小手柄 Small handle	2
C3	挡圈 Spacing collar	1	C11	出渣头 The spiral for cakes out	1	C19	大手柄 Big handle	4
C4	平键 B16 \times 435 Key B16 \times 435	2	C12	锁紧螺母 Lock nut	1	C20	油杯A25 Oil cup A25	1
C5	1、2#榨螺 1、2# squeeze spiral	2	C13	螺栓M12 \times 65 Bolt M12 \times 65	2	C21	短含油轴承 Short oil-retaining bearing	1
C6	3#榨螺 3# squeeze spiral	1	C14	轴承51309 Bearing 51309	2	C22	六角螺母 Hexagon nut	2
C7	4#榨螺 \varnothing 92 4# squeeze spiral \varnothing 92	1	C15	长含油轴承 Long oil-retaining bearing	1	C23	防护帽 Safety cover	1
C8	5#榨螺 5# squeeze spiral	1	C16	调节螺栓 Adjusting bolt	1			

图三 螺旋轴部件图

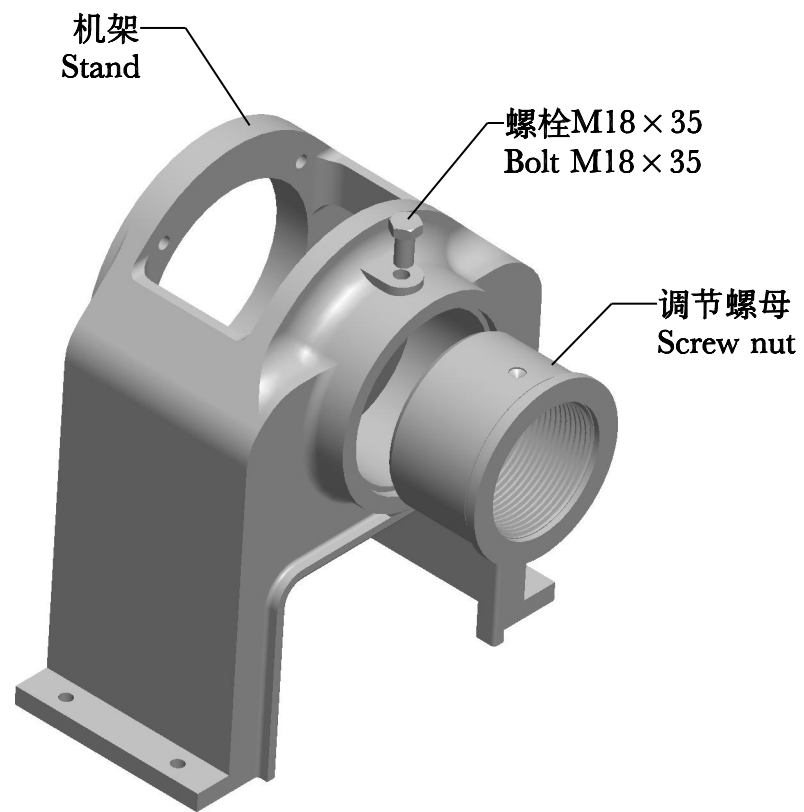
Fig.3 Structure Diagram of Spiral Shaft



标号 Item	零件名称 Name	每台数量 Quantity	标号 Item	零件名称 Name	每台数量 Quantity
D14	压料螺旋 Feeding screw	1	D1	防护罩 Safety cover	1
D15	料斗 Hopper	1	D2	大锥齿轮 Big bevel gear	1
D16	传动轴 Transmission shaft	1	D3	轴承6205 Bearing 6205	4
D17	皮带轮 Belt pulley	1	D4	轴承座 (2) Bearing support No.2	1
			D5	轴承盖(一) Bearing cover No.1	1
			D6	轴承盖(二) Bearing cover No.2	1
			D7	轴承座 (1) Bearing support No.1	1
			D8	D52 孔挡圈 D52 Circlip for hole	1
			D9	轴用钢丝挡圈 $\varnothing 40 \times 1.5$ Roundwire snap rings for shaft $\varnothing 40 \times 1.5$	1
			D10	小锥齿轮 Small bevel gear	1
			D11	平键 A8 \times 20 Key A8 \times 20	1
			D12	拨料杆 Stir device	1
			D13	进料轴 Feeding shaft	1

图四 进料机构部件图

Fig.4 Structure Diagram of Feeding Hopper



图五 机架部件图

Fig.5 Structure Diagram of Machine Stand