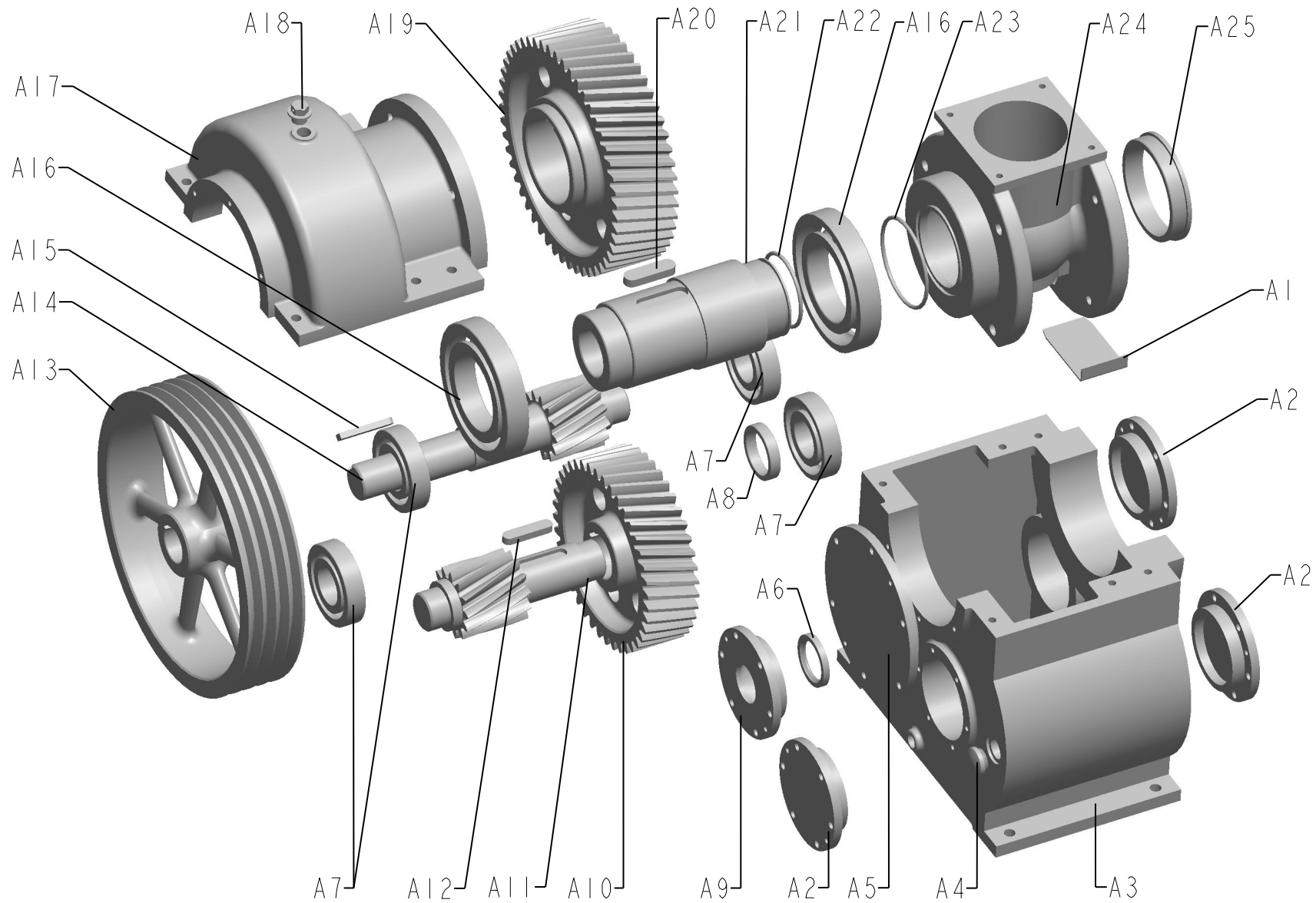


YZYX168结构图

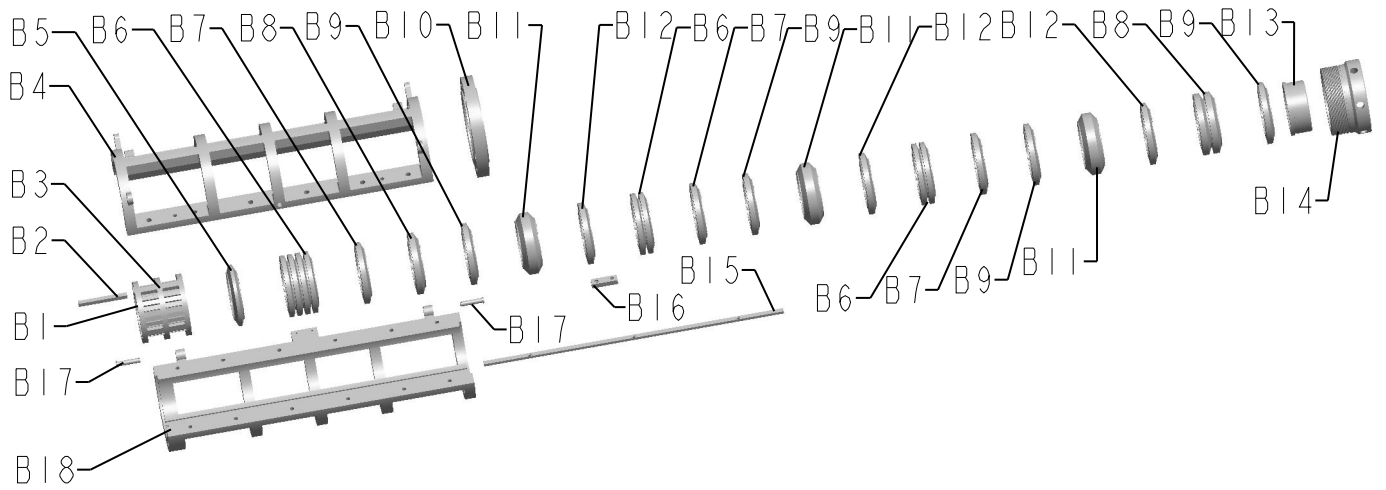
Structure Diagram of YZYX168



图一 减速箱部件图

Fig.1 Structure Diagram of Gearbox

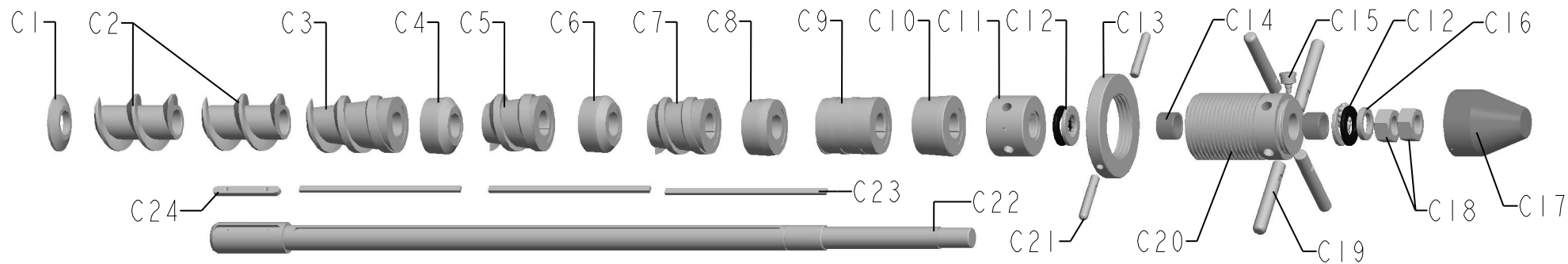
| 标号 Item | 零件名称 Name | 每台数量 Quantity | 标号 Item | 零件名称 Name | 每台数量 Quantity | 标号 Item | 零件名称 Name | 每台数量 Quantity |
|------------|---------------------------------------|------------------|------------|-------------------------------|------------------|------------|-----------------------------|------------------|
| A1 | 插销板 Latch plate | 1 | A10 | 中齿轮 Medium gear | 1 | A19 | 大齿轮 Big gear | 1 |
| A2 | 7314轴承闭盖 Closed bearing cover 7314 | 3 | A11 | 短轴齿轮 Short shaft with gear | 1 | A20 | 键28×98 Key 28×98 | 1 |
| A3 | 减速箱体 Gearbox body | 1 | A12 | 平键22×95 Key 22×95 | 1 | A21 | 空心轴 Hollow shaft | 1 |
| A4 | 油标A32 Oil scale A32 | 1 | A13 | ∅550三角带轮 ∅550 Belt pulley | 1 | A22 | O型密封圈 125×7 O-seal 125×7 | 1 |
| A5 | 7228轴承盖 Bearing cover 7228 | 1 | A14 | 长轴齿轮 Long shaft with gear | 1 | A23 | O型密封圈 155×7 O-seal 155×7 | 1 |
| A6 | J形油封70×95×12 J-oil seal 70×95×12 | 1 | A15 | 键C18×105 Key C18×105 | 1 | A24 | 进料三通 Feeding base | 1 |
| A7 | 轴承7314AC Bearing 7314AC | 4 | A16 | 轴承7228AC Bearing7228AC | 1 | A25 | 齿箱套 Gearbox bushing | 1 |
| A8 | 小衬圈 Small bushing | 1 | A17 | 减速箱盖 Gearbox cover | 1 | | | |
| A9 | 7314轴承通盖 Open bearing cover 7314 | 1 | A18 | 通气塞 Ventilation plug | 1 | | | |



| 标号 Item | 零件名称 Name | 每台数量 Quantity | 标号 Item | 零件名称 Name | 每台数量 Quantity |
|------------|--|------------------|------------|----------------------------------|------------------|
| B1 | 榨条 Squeeze bars | 1 | B10 | 大螺母 Big gear | 1 |
| B2 | 垫片 Spacer | 1 | B11 | 5#榨圈 5# Squeeze loop | 3 |
| B3 | 榨条圈 The ring for setting up squeeze bars | 23 | B12 | 6#榨圈 6# Squeeze loop | 3 |
| B4 | 上榨笼 Top cage | 1 | B13 | 出饼圈 The loop for cakes out | 1 |
| B5 | 1#榨圈 1# Squeeze loop | 1 | B14 | 压紧螺栓 Pressing bolt | 1 |
| B6 | 2#榨圈 2# Squeeze loop | 8 | B15 | 平键 B18×1150 Key B18×1150 | 1 |
| B7 | 3#榨圈 3# Squeeze loop | 3 | B16 | 垫铁 Sizing block | 1 |
| B8 | 厚3#榨圈 Thick 3# squeeze loop | 3 | B17 | 销轴 Pin roll | 2 |
| B9 | 4#榨圈 4# Squeeze loop | 4 | B18 | 下榨笼 Bottom cage | 1 |

图二 榨膛部件图

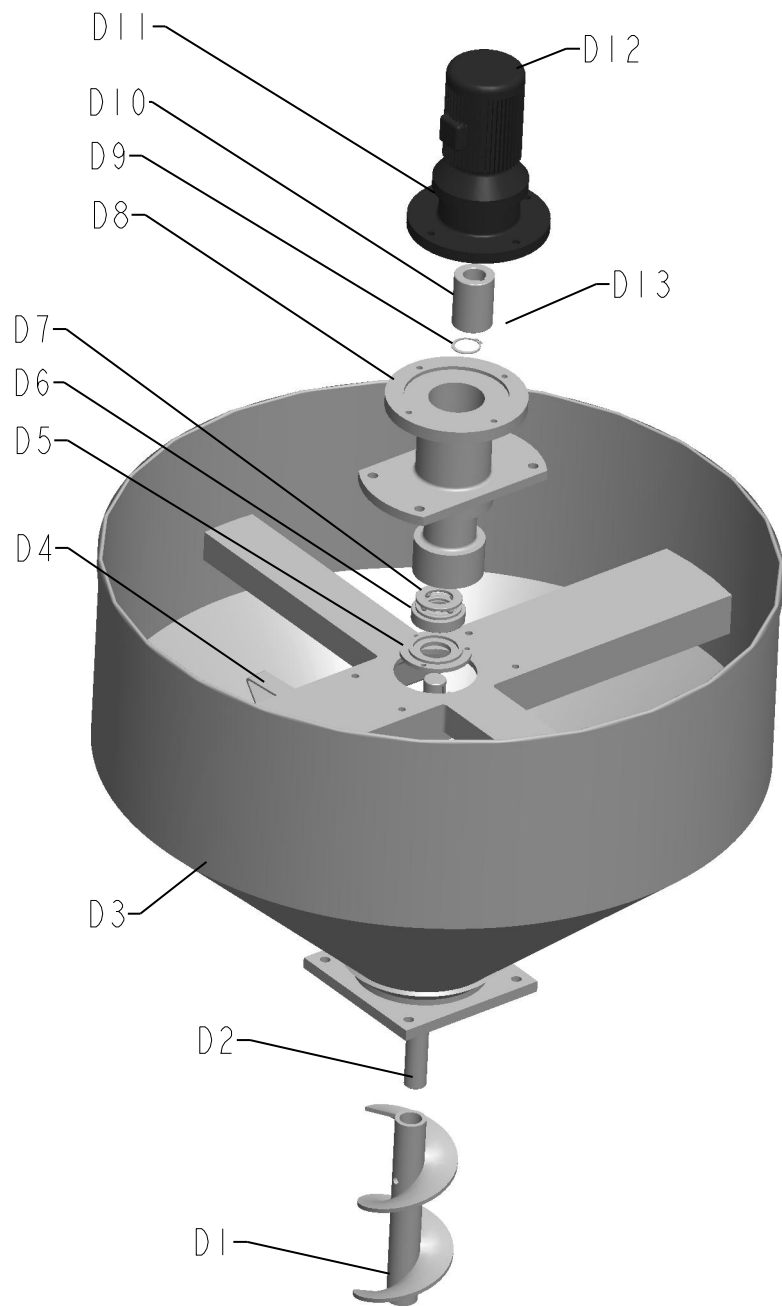
Fig.2 Structure Diagram of Squeeze Cage and Squeeze Loops



| 标号 Item | 零件名称 Name | 每台数量 Quantity | 标号 Item | 零件名称 Name | 每台数量 Quantity | 标号 Item | 零件名称 Name | 每台数量 Quantity |
|------------|---|------------------|------------|--------------------------------|------------------|------------|---|------------------|
| C1 | 挡圈 Spacing collar | 1 | C9 | 7#榨螺 7# squeeze spiral | 1 | C17 | 防护帽 Safety cover | 1 |
| C2 | 1、2#榨螺 1、2#squeeze spiral | 2 | C10 | 抵饼榨螺 Pushing squeeze spiral | 1 | C18 | 六角螺母 Hexagon nut | 2 |
| C3 | 3#榨螺 3# squeeze spiral | 1 | C11 | 锁紧螺母 Lock nut | 1 | C19 | 大手柄 Big handle | 4 |
| C4 | 前4#榨螺 \varnothing 110 Front 4# squeeze spiral \varnothing 110 | 1 | C12 | 轴承51312 Bearing 51312 | 2 | C20 | 调节螺栓 Adjusting bolt | 1 |
| C5 | 5#榨螺 5# squeeze spiral | 1 | C13 | 夹紧圈 Tight nut | 1 | C21 | 小手柄 Small handle | 4 |
| C6 | 中4#榨螺 \varnothing 120 Centre 4# squeeze spiral \varnothing 120 | 1 | C14 | 含油轴承 Oil-retaining bearing | 2 | C22 | 总轴 Main shaft | 1 |
| C7 | 6#榨螺 6# squeeze spiral | 1 | C15 | 油杯A25 Oil cup A25 | 1 | C23 | 平键 B16 \times 485 Key B16 \times 485 | 3 |
| C8 | 后4#榨螺 \varnothing 153 Back 4# squeeze spiral \varnothing 153 | 1 | C16 | 压板 Pressing plate | 1 | C24 | 平键 C22 \times 200 Key C22 \times 200 | 1 |

图三 螺旋轴部件图

Fig.3 Structure Diagram of Spiral Shaft



| 标号 Item | 零件名称 Name | 每台数量 Quantity | 标号 Item | 零件名称 Name | 每台数量 Quantity |
|------------|---|------------------|------------|-------------------------------------|------------------|
| D11 | 摆线减速机 Cycloid reducer | 1 | D1 | 压料螺旋 Feeding screw | 1 |
| D12 | 电动机Y801-4-B5 Electric motor Y801-4-B5 | 1 | D2 | 进料轴 Feeding shaft | 1 |
| D13 | 键8×35 Key 8×35 | 1 | D3 | 料斗 Hopper | 1 |
| | | | D4 | 拨料器 Stir device | 1 |
| | | | D5 | 轴承盖 Bearing cover | 1 |
| | | | D6 | 轴承6207 Bearing 6207 | 1 |
| | | | D7 | 轴承51207 Bearing 51207 | 1 |
| | | | D8 | 轴承座 Bearing support | 1 |
| | | | D9 | 轴用弹性挡圈35 Circlip 35 for shaft | 1 |
| | | | D10 | 联轴套 Coupling shaft housing | 1 |

图四 进料机构部件图

Fig.4 Structure Diagram of Feeding Hopper