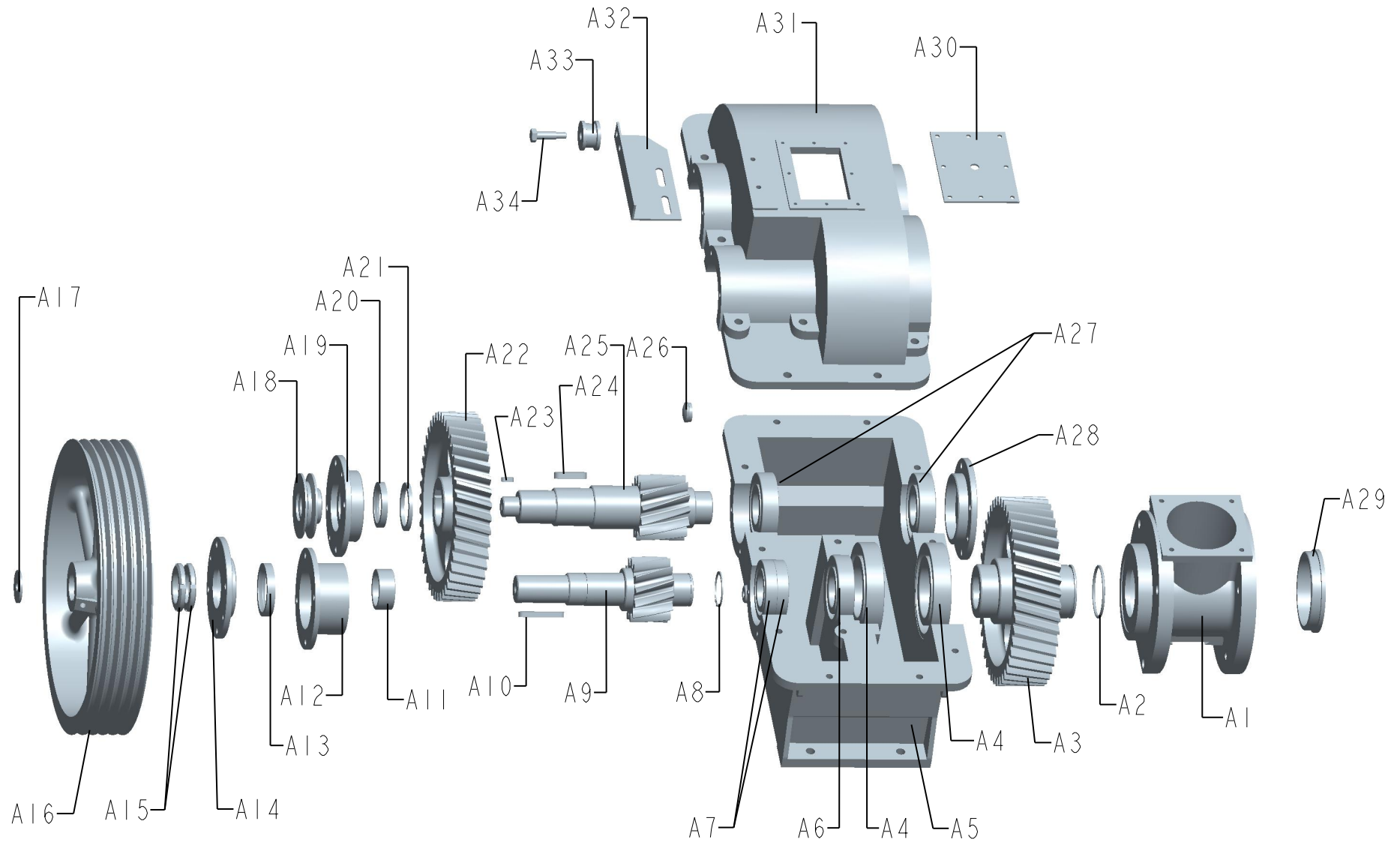


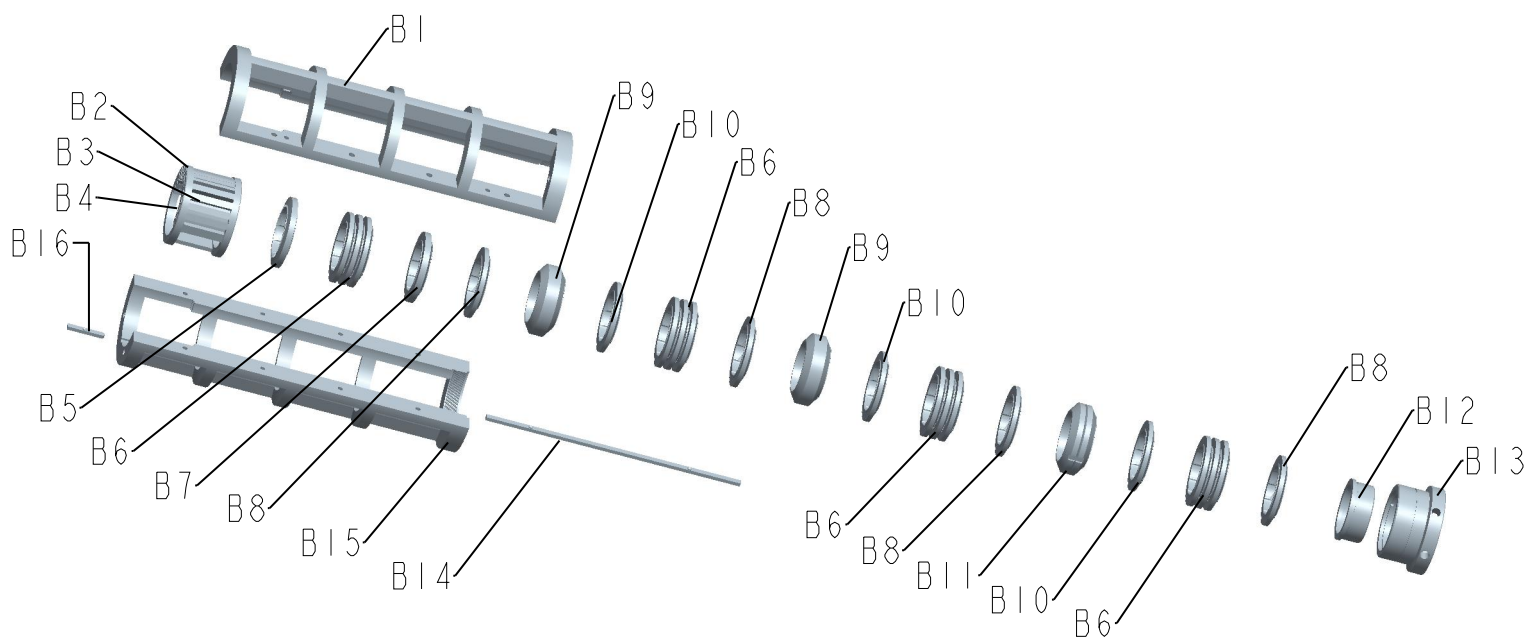
YZYX140CJGX结构图  
Structure Diagram of YZYX140CJGX



图一 减速箱部件图

Fig.1 Structure Diagram of Gearbox

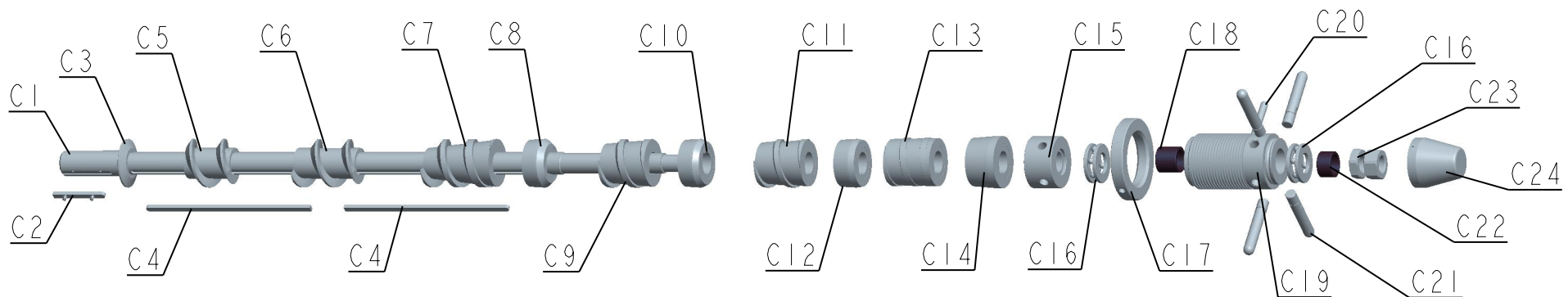
标号 Item	零件名称 Name	每台数量 Quantity	标号 Item	零件名称 Name	每台数量 Quantity
A1	进料三通 Feeding base	1	A19	轴承通盖 Open bearing cover	1
A2	O型密封圈 O-seal	1	A20	J型油封65×90×12 J-oil seal 65×90×12	1
A3	厚43齿轮 Thick gear 43	1	A21	隔圈7.5 Spacing collar 7.5	1
A4	轴承7221AC Bearing 7221AC	2	A22	薄43齿轮 Thin gear 43	1
A5	箱体 Gearbox boby	1	A23	平键12×25 Key 12×25	1
A6	轴承6313 Bearing 6313	1	A24	平键20×65 Key 20×65	1
A7	轴承7213AC Bearing 7213AC	2	A25	长轴齿轮 Long shaft with gear	1
A8	挡圈65 Spacing collar 65	1	A26	油标A25 Oil scale	1
A9	短轴齿轮 Short shaft with gear	1	A27	轴承7313AC Bearing 7313AC	2
A10	平键16×90 Key 16×90	1	A28	轴承闭盖 Closed bearing cover	1
A11	衬套 Bushing	1	A29	齿箱套 Gearbox bushing	1
A12	轴承座 Bearing support	1	A30	视孔盖组合 Inspection plate	1
A13	J型油封80×105×16 J-oil seal 80×105×16	1	A31	箱盖 Gearbox cover	1
A14	轴通盖 Open shaft cover	1	A32	张紧架 Tension frame	1
A15	圆螺母M64×2 Nut 64×2	2	A33	张紧轮 Tension pulley	1
A16	大带轮 Big belt pulley	1	A34	螺栓轴 Stud shaft	1
A17	压板 Keep plate	1			
A18	∅128带轮 ∅128 belt pulley	1			



标号 Item	零件名称 Name	每台数量 Quantity	标号 Item	零件名称 Name	每台数量 Quantity
B1	上榨笼 Bottom cage	1	B9	5#榨圈 5# Squeeze loop	2
B2	榨条圈 The ring for setting up squeeze bars	1	B10	6#榨圈 6# Squeeze loop	3
B3	榨条 Squeeze bars	23	B11	A5#榨圈 A5# Squeeze loop	1
B4	垫片 Spacer	1	B12	出饼圈 The loop for cakes out	1
B5	1#榨圈 1# Squeeze loop	1	B13	压紧螺栓 Pressing bolt	1
B6	2#榨圈 2# Squeeze loop	12	B14	平键 B16×725 Key B16×725	1
B7	3#榨圈 3# Squeeze loop	1	B15	下榨笼 Top cage	1
B8	4#榨圈 4# Squeeze loop	4	B16	平键 C16×115 Key C16×115	1

图二 榨膛部件图

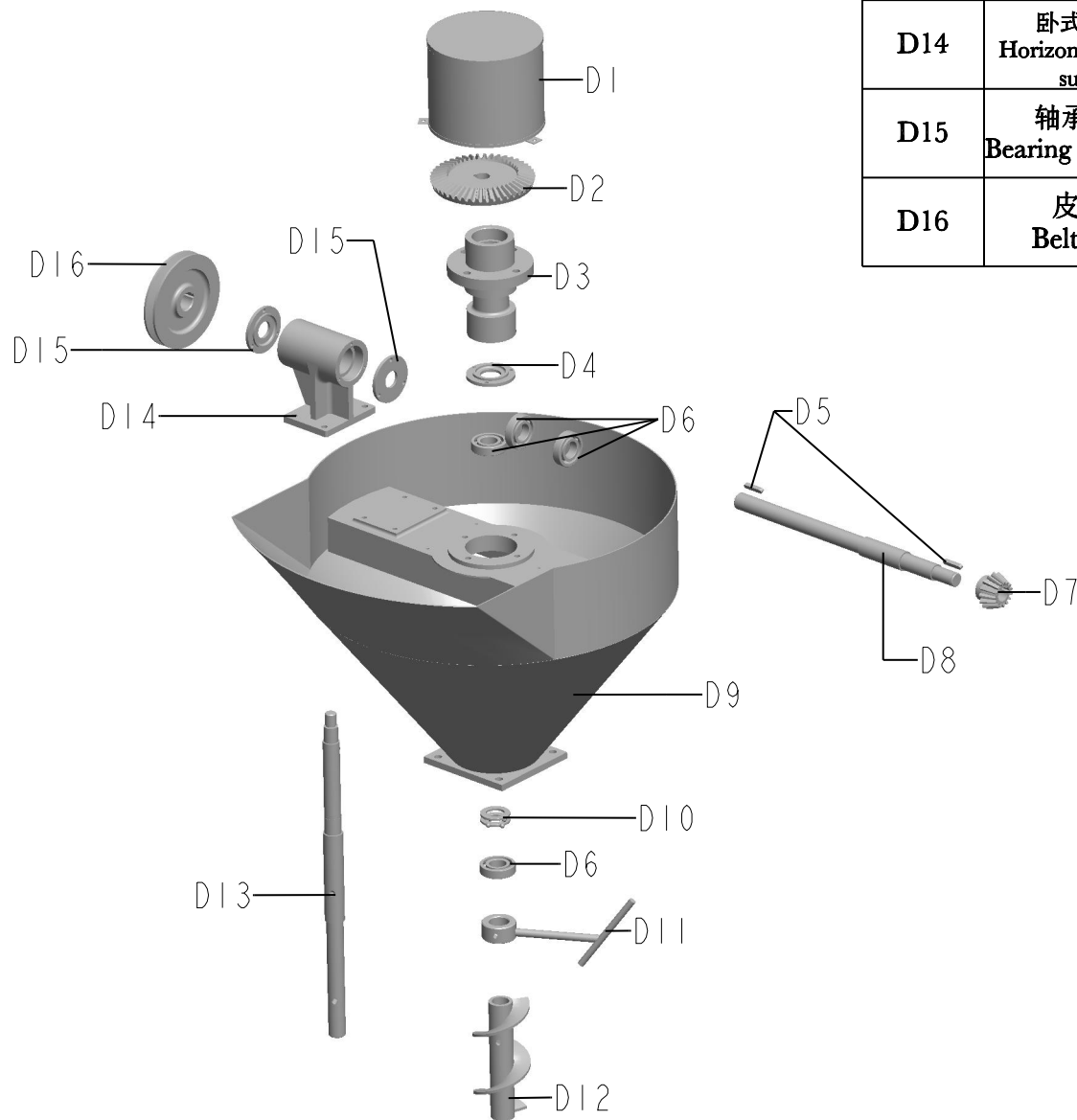
Fig.2 Structure Diagram of Squeeze Cage and Squeeze Loops



标号 Item	零件名称 Name	每台数量 Quantity	标号 Item	零件名称 Name	每台数量 Quantity	标号 Item	零件名称 Name	每台数量 Quantity
C1	总轴 Main shaft	1	C9	5#榨螺 5# squeeze spiral	1	C17	夹紧圈 Tight nut	1
C2	平键 C16×150 Key C16×150	1	C10	4#榨螺 $\varnothing$ 115 4# squeeze spiral $\varnothing$ 115	1	C18	长含油轴承 Long oil-retaining bearing	1
C3	挡圈 Spacing collar	1	C11	6#榨螺 6# squeeze spiral	1	C19	调节螺栓 Adjusting bolt	1
C4	平键 B16×575 Key B16×575	2	C12	4#榨螺 $\varnothing$ 125 4# squeeze spiral $\varnothing$ 125	1	C20	小手柄 Small handle	2
C5	1#榨螺 1# squeeze spiral	1	C13	7#榨螺 7# squeeze spiral	1	C21	大手柄 Big handle	4
C6	2#榨螺 2# squeeze spiral	1	C14	出渣头 The spiral for cakes out	1	C22	短含油轴承 Short oil-retaining bearing	1
C7	3#榨螺 3# squeeze spiral	1	C15	锁紧螺母 Lock nut	1	C23	薄、厚螺母 Thin/ Thick nut	各1
C8	4#榨螺 $\varnothing$ 105 4# squeeze spiral $\varnothing$ 105	1	C16	轴承51311 Bearing 51311	2	C24	防护帽 Safety cover	1

图三 螺旋轴部件图

Fig.3 Structure Diagram of Spiral Shaft

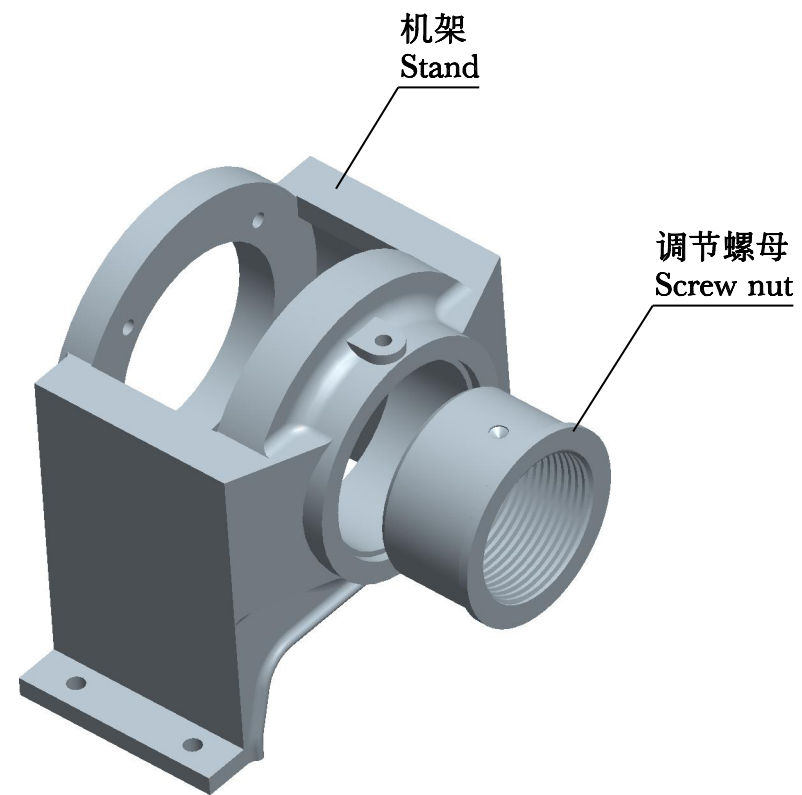


标号 Item	零件名称 Name	每台数量 Quantity
D14	卧式轴承座 Horizontal bearing support	1
D15	轴承盖(二) Bearing cover No.2	2
D16	皮带轮 Belt pulley	1

标号 Item	零件名称 Name	每台数量 Quantity
D1	防护罩 Safety cover	1
D2	大锥齿轮 Big bevel gear	1
D3	立式轴承座 Vertical bearing support	1
D4	轴承盖(一) Bearing cover No.1	1
D5	平键 A8×25 Key A8×25	2
D6	轴承6206 Bearing 6206	4
D7	小锥齿轮 Small bevel gear	1
D8	传动轴 Transmission shaft	1
D9	料斗 Hopper	1
D10	轴承51206 Bearing 51206	1
D11	拨料杆 Stir device	1
D12	压料螺旋 Feeding screw	1
D13	进料轴 Feeding shaft	1

图四 进料机构部件图

Fig.4 Structure Diagram of Feeding Hopper



图五 机架部件图

Fig.5 Structure Diagram of Machine Stand